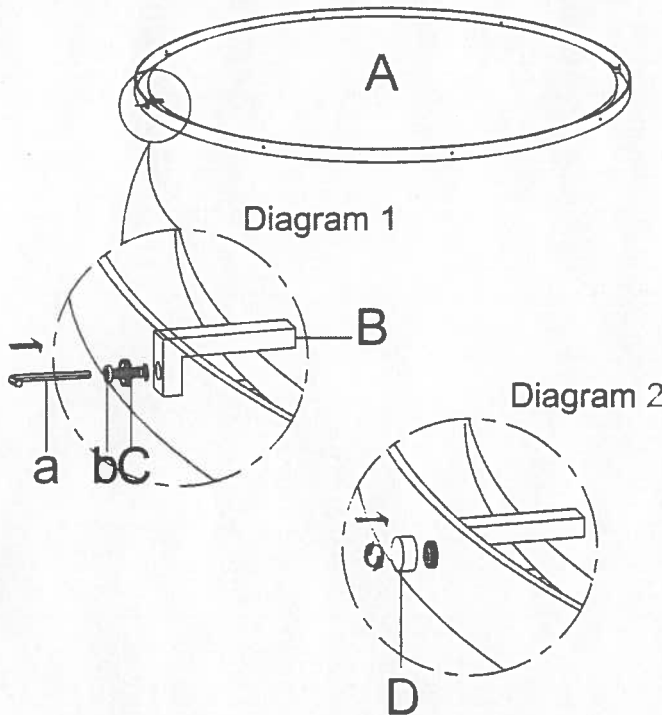


# UTTERMOST

## ASSEMBLY INSTRUCTIONS

### STYLE:09982

#### Part.1



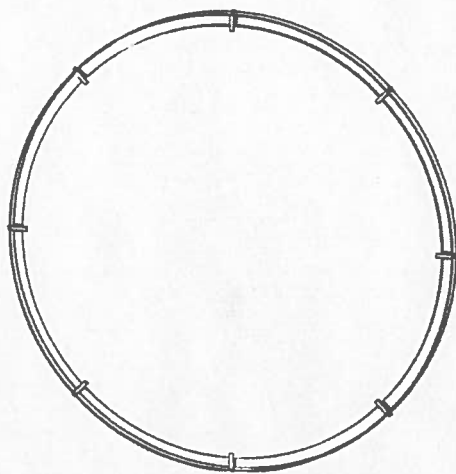
#### Parts list

A	Mirror Frame	1 PC
B	Gold Metal Clip	8 PCS
C	Threaded washer	8 PCS
D	Screw Cover Cap	8 PCS

#### Hardware list

a	Allen Key	1 PC
b	Bolt	8 PCS

#### Part.2



1. Take the Parts carefully out of the carton, and then place them on a flat and soft surface, making sure that the parts will not be scratched.

2. Please lay the Mirror Frame(A) flat on the table/ground with the front facing up, Install the Gold Metal Clips(Bx8) as shown in Diagram 1. Then, install the Screw Cover Caps(Dx8) as shown in diagram 2.

The accessories on the product have been assembled.

3. Please follow the HANGING INSTRUCTIONS on the back of the mirror to hang it. Due to its weight, please ensure safety and it's advisable to have 4 people hanging the product.

To Clean, wipe with soft dry cloth.